

IP68 water -prof
Ip68(50M @72 hrs tested by SGS



EAC



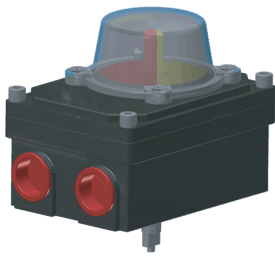
VTL Valve Position Monitoring (Limit Switch Box)

Material of construction

Aluminium Alloy Body: VTL-L,M,B,D, Series

316SS Bpdy : SS Series

VTL-L,M,D,B, Series General Specification



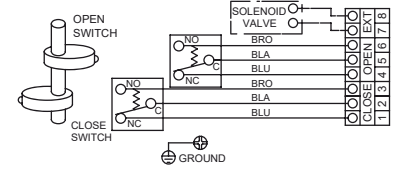
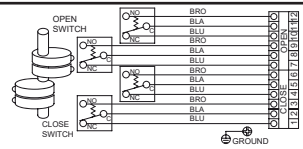
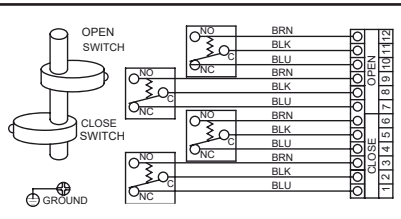
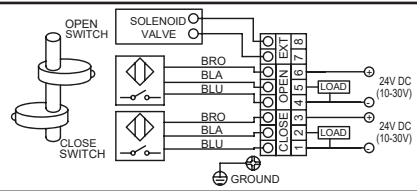
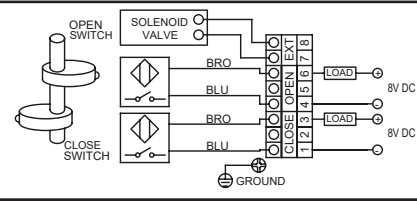
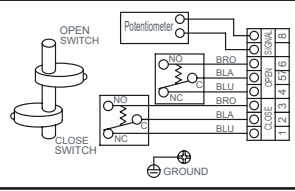
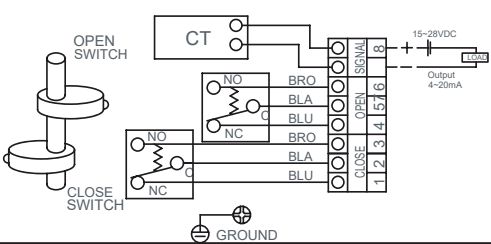
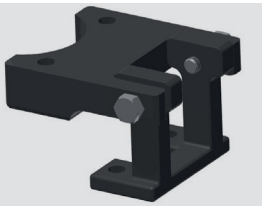
VTL-L Series, Weather-Proof

- Enclosure: Aluminum Die-casting, weather proof - IP68/NEMA 4 & 4X, IP68 water-proof
- Bolts on visual position Indicator
- Switches: 2 x SPDT mechanical switch or proximity
- Cable Entry: 2 x 1/2" NPT (std.). Option: M20, PG13.5, PF1/2", PT1/2"
- Terminal Strip: 8 points (0.08 – 2.5mm²), Option: 8-16 points
- Easy mounting, Namur standard, stainless steel bracket & bolts or PA66 bracket

Housing	Low copper aluminium die-casting
Coating	Epoxy-Polyester
Sealing	NBR O-rings on each interface (dome indicator, Lower/Upper Housing, Shaft)
Cams	Ply-Carbonate
Bushings	Bronze
Shaft	AISI 304 Stainless Steel
Earth Lug	Stainless Steel
Mounting Bracket	PA66, AISI 304 Stainless Steel

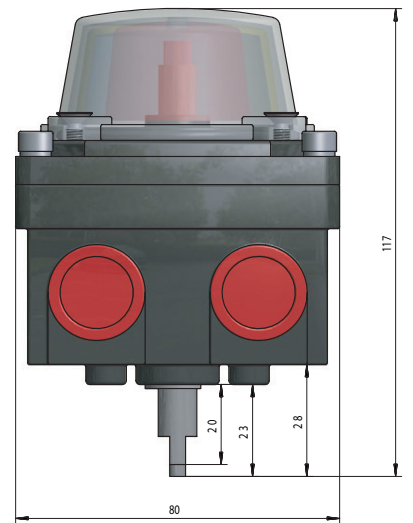
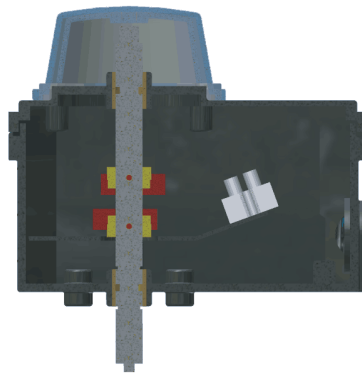
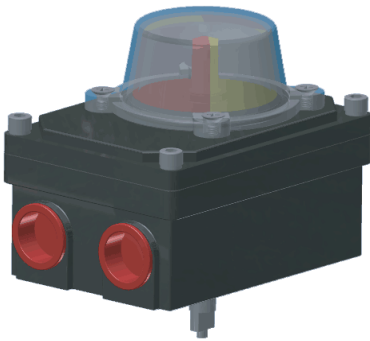


VTL Valve Position Monitoring (Limit Switch Box) Switches, Wiring and Bracket(VTL-L,M,B,D series)

<p>2-SPDT mechanical switches Rating : 16A 1/2HP 125/250VAC, 0.6A 125VDC, 0.3A 250VDC approved by UL, CSA</p>	
<p>4-SPDT mechanical switches Rating : 5A 125 VAC LT130 0.6A 125VDC approved by UL, CSA</p>	
<p>2-DPDT mechanical switches Rating : 10A 125 or 250VAC 2A 480VAC 1/8HP 125VAC, 0.25HP 250VAC 0.5A 125VDC, 0.25A 250VDC approved by UL, CS</p>	
<p>Autonics proximity sensors PS17-5DNU(NPN, PNP), 3-wire Voltage rating : 10~30VDC Sensing distance : 5mm Ambient temperature : -25~+70°</p>	
<p>P & F proximity sensors NJ2-V3-N(Intrinsic safe, 2-wire) Voltage rating : 8V DC Sensing distance : 2mm Ambient temperature : -25~+100°C</p>	
<p>Potentiometer Providing 0-1K ohm output signal, Options: 0-5K or 10K ohm</p>	
<p>Position Transmitter Providing 4-20mA DC(or 0~1K ohm) output signal as feedback, 15~28VDC loop power(24V DC input power) Load impedance : 0~600 Ohm, Max output : 35mA DC Adjustment : Zero and span</p>	
	<p>Standard bracket provided together with switch box(included) Universal</p>

DIMENSION

VTL - L200



VTL - L - 1 - P

Enclosure Type: _____

- L series(Aluminum Die-Casting Housing,IP68 Water-proof)
- M series(Aluminum Die-Casting Housing,IP68 Water-proof)
- D series(Aluminum Die-Casting Housing,IP68/ExdIICT6 Explosion-proof)
- B series(Aluminum Die-Casting Housing,IP68/ExdIIBT6 Explosion-proof)

Switch Type _____

Mechanical Type Switch	Inductive Proximity Sensor	Reed type sensor	Interface	Bracket Material
200 – 2 x SPDT	221: NCB2-V3-NO (ExiallCT6) 8VDC	330:PM-3-SD 24VDC	1: NPT1/2	S: Stainless Steel
300 – 3 x SPDT	222: NJ2-V3-N (ExiallCT6) 8VDC	331:OM-2-N-O 220VAC or 24VDC	2: G1/2	P: PA66
400 – 4 x SPD	223: NJ4-12GK-SN (ExiallCT6) -50°C ~ 100°C	332:MS27	3: M20 x 1.5	
210 – 2 x DPDT	224:SJ3.5-N (ExiallCT6) 8VDC		4: NPT3/4	
310 – 2 x SPDT+Potentiometer (0-1kΩ)	225:SJ3.5-SN (ExiallCT6) -50°C ~ 100°C		5: M25 x 1.5	
410 – 2 x SPDT + Position Transmitter (4-20mADC output)	226:NBB3-V3-Z4 5 ~ 60VDC			
	227:PSN17 – 5DNU			